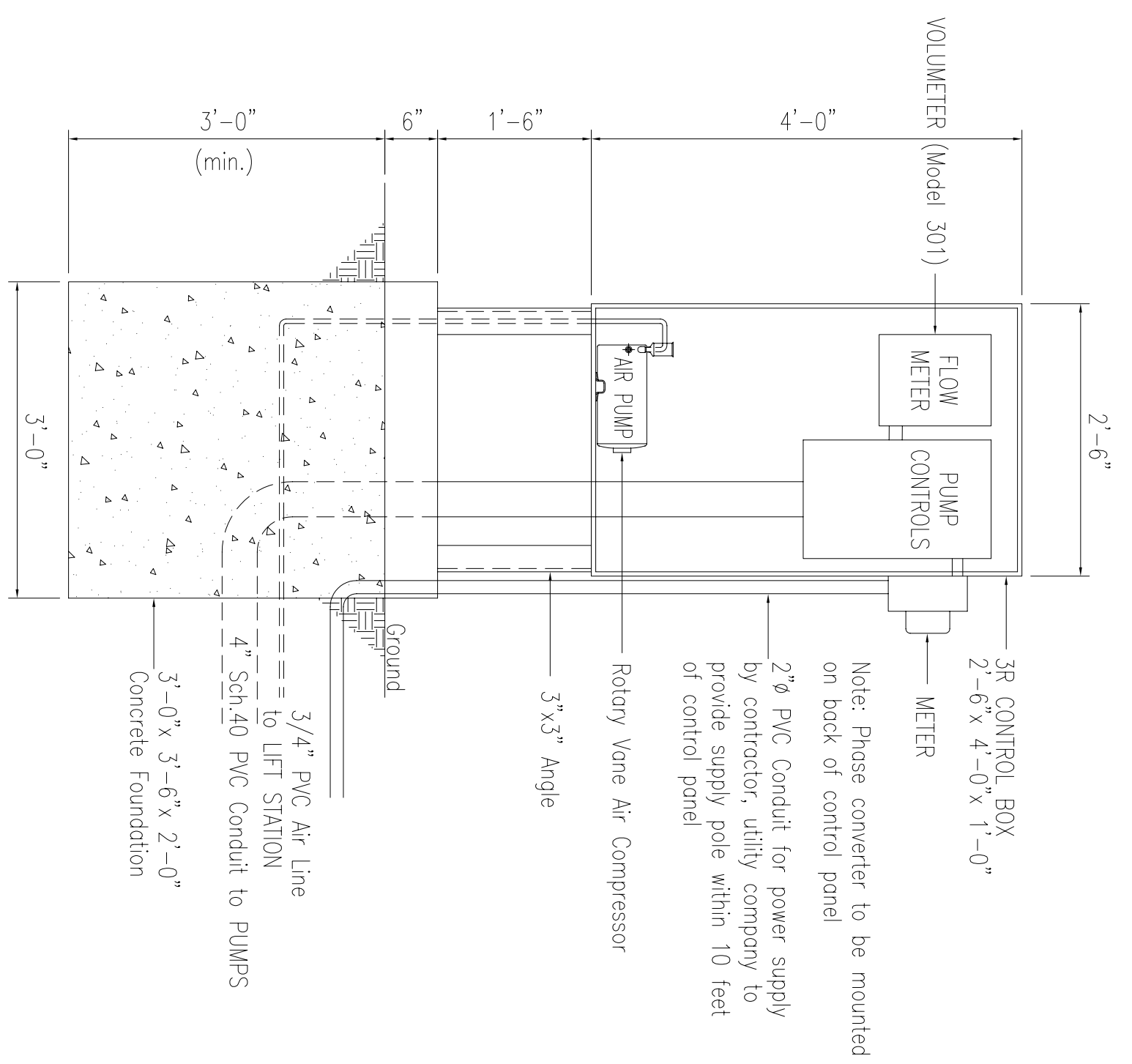
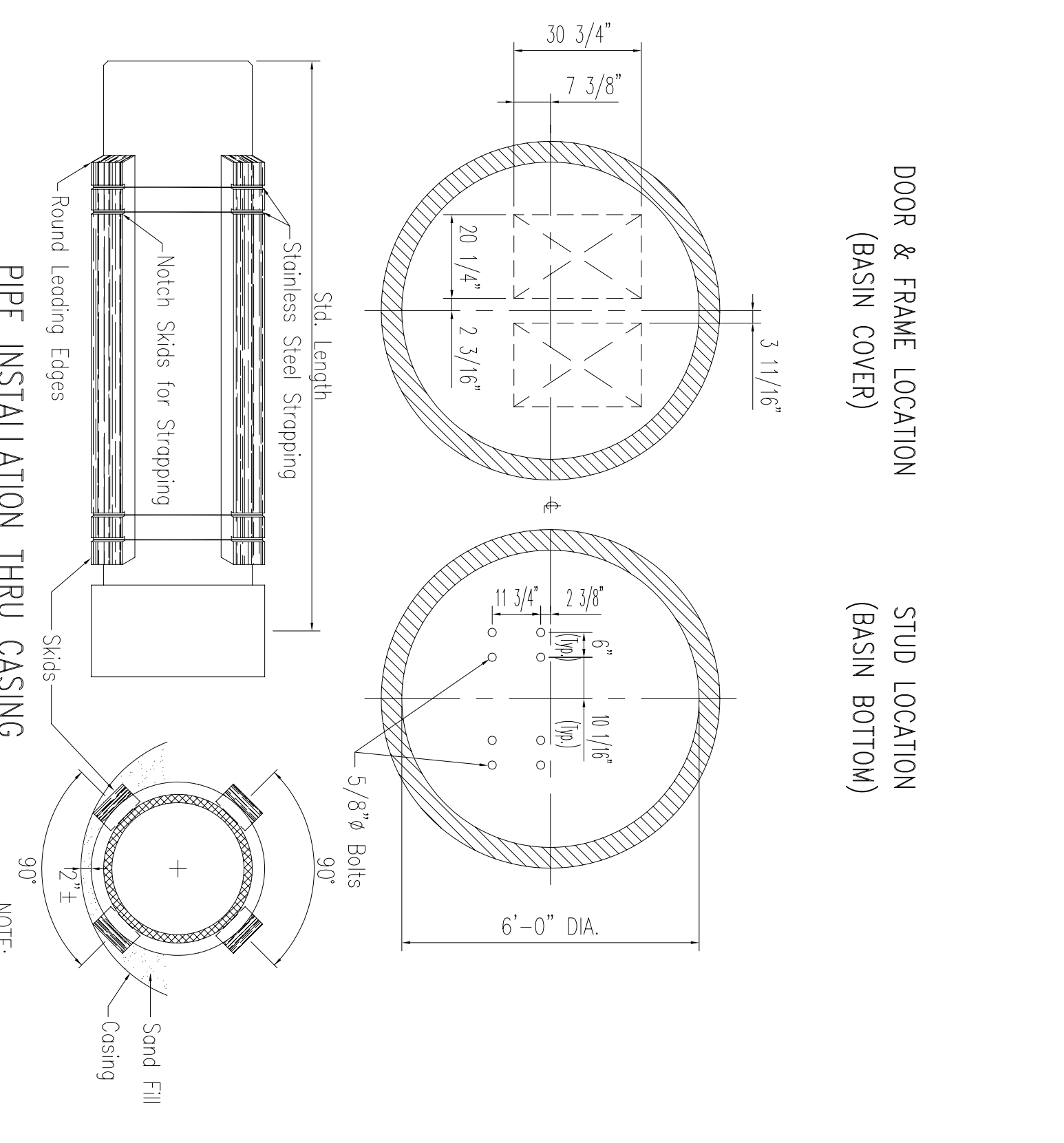


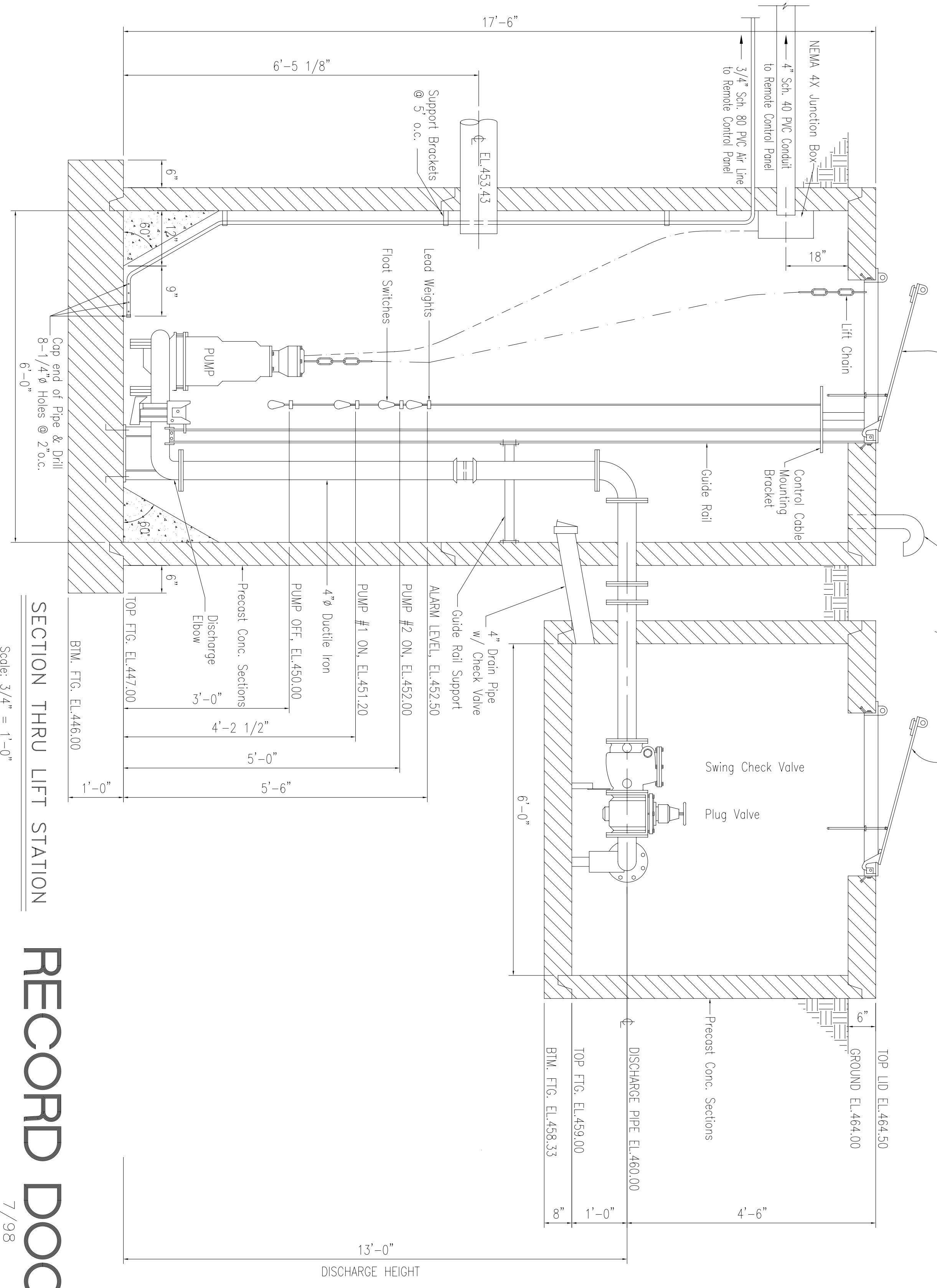
PLAN OF LIFT STATION
Scale: 3/4" = 1'-0"



CONTROL PANEL MOUNTING DETAIL
Scale: 3/4" = 1'-0"



NOTE:
Slids to be pressure treated lumber. See Specs. for General Information.



SECTION THRU LIFT STATION
Scale: 3/4" = 1'-0"

RECORD DOCUMENT

1. ROAD WORK AHEAD
2. ONE LANE ROAD AHEAD
4. FLAGMAN AHEAD
7. END ROAD WORK - II

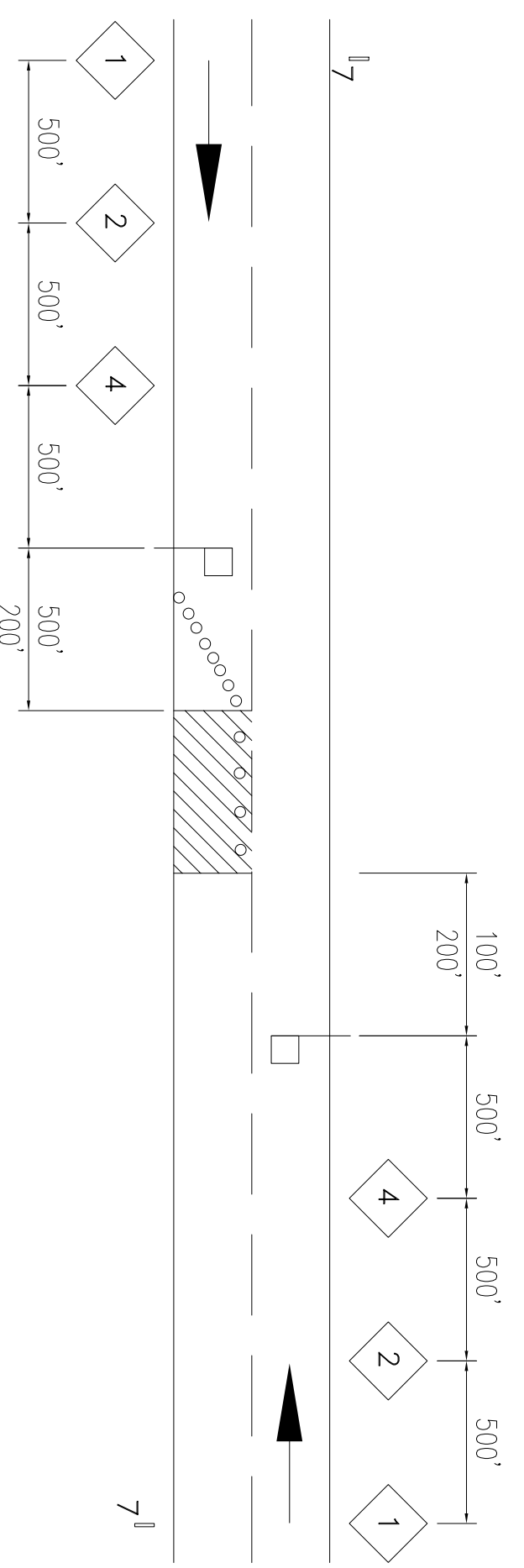
LEGEND

P - FLAGMAN

○ - TRAFFIC CONES, BARRELS, OR TYPE II PORTABLE BARRICADE

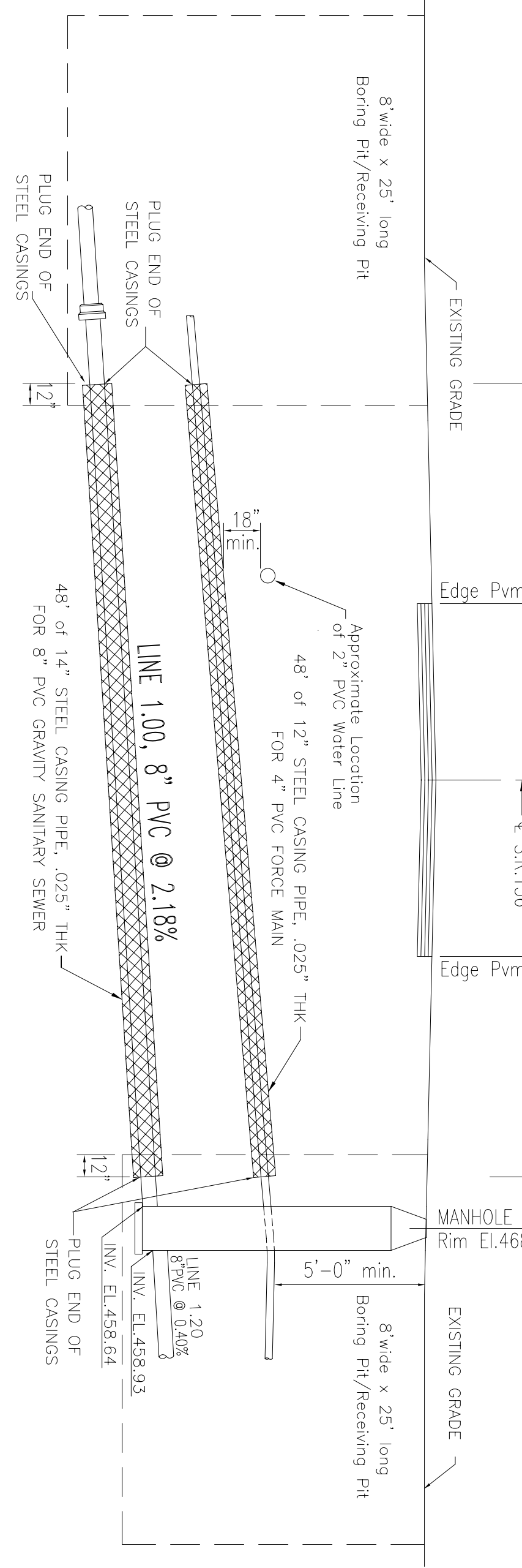
TRAFFIC CONTROL PLAN

No Scale



JACK and BORE

HIGHWAY CROSSING DETAIL



LIFT STATION #1 DETAILS MISCELLANEOUS DETAILS

Florence Regional Sewer District
Florence, Indiana

| | | | |
|------------------|-------------|----|------|
| JOB NO. E93-2453 | DESCRIPTION | BY | DATE |
| DWN. BY brk | | | |
| CHK. BY jjg | | | |
| DATE 1/96 | | | |
| SCALE As Noted | REVISIONS | | |

HOWARD J. BARTH & ASSOCIATES, INC.
CONSULTING ENGINEERS

347 E. WASHINGTON STREET
GREENSBURG, INDIANA 47240
812-663-2177 FAX 812/663-7906

